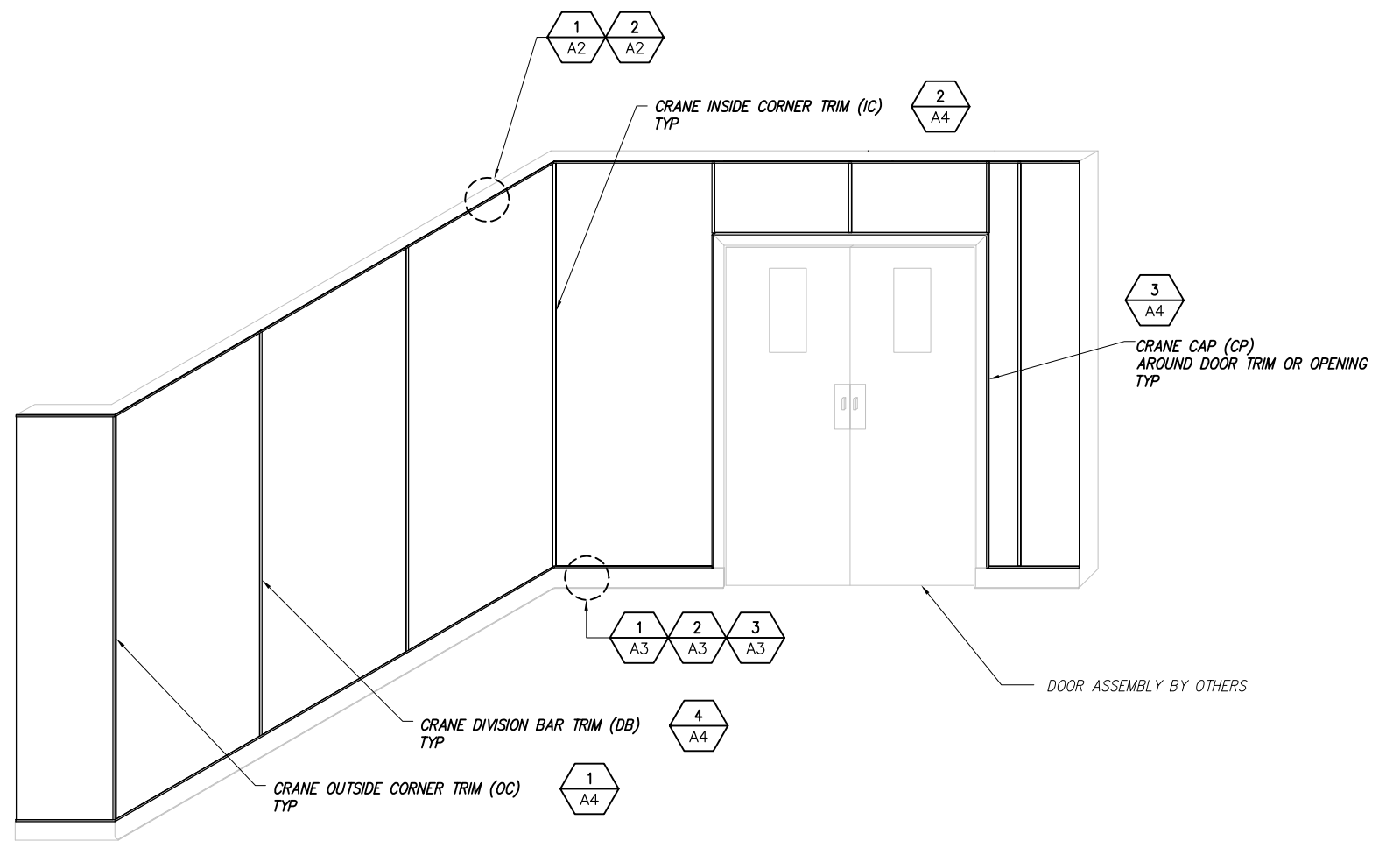


1 GLASBORD FRP PANEL ELEVATION
SCALE: NOT TO SCALE



2 GLASBORD FRP WALL ISO VIEW
SCALE: NOT TO SCALE

.075" GLASBORD NOTES

- SEE INSTALLATION GUIDE (6876) FOR COMPLETE INSTALLATION RECOMMENDATIONS.
- SEE TECHNICAL DATA SHEET (7091) FOR GLASBORD®*PSIF*SMOOTH PANEL INFORMATION.
- OTHER SMOOTH GLASBORD FORMULATIONS INCLUDE: FSFM, FSI, FSQF, SCAN.
- SEE TECHNICAL DATA SHEET (6220) FOR CRANE STANDARD MOLDING INFORMATION.
- ALLOW 1/8" (3.2 MM) CLEARANCE AROUND ALL PENETRATIONS FOR FIXTURES, ELECTRICAL BOXES, PIPING, ETC.
- ALL FRP PANEL VERTICAL SEAMS SHALL HAVE A 1/8" THERMAL EXPANSION GAP BETWEEN PANEL AND CENTER MOLDING.
- ALL FRP PANEL HORIZONTAL SEAMS SHALL HAVE A 1/4" THERMAL EXPANSION GAP BETWEEN PANEL AND FLOOR/CEILING.

.090" GLASBORD PANEL NOTES

- SEE INSTALLATION GUIDE (6876) FOR COMPLETE INSTALLATION RECOMMENDATIONS.
- SEE TECHNICAL DATA SHEET (6296) FOR GLASBORD®*PIF*EMBOSSED PANEL INFORMATION.
- OTHER EMBOSSED GLASBORD FORMULATIONS INCLUDE: FX, FXE, FXR, FTSTF, FSQF, PWI, PCAN.
- SEE TECHNICAL DATA SHEET (6220) FOR CRANE MOLDING INFORMATION.
- ALLOW 1/8" (3.2 MM) CLEARANCE AROUND ALL PENETRATIONS FOR FIXTURES, ELECTRICAL BOXES, PIPING, ETC.
- ALL FRP PANEL VERTICAL SEAMS SHALL HAVE A 1/8" THERMAL EXPANSION GAP BETWEEN PANEL AND CENTER MOLDING.
- ALL FRP PANEL HORIZONTAL SEAMS SHALL HAVE A 1/4" THERMAL EXPANSION GAP BETWEEN PANEL AND FLOOR/CEILING.

ELEV/ISO

A-1

CRANE Composites

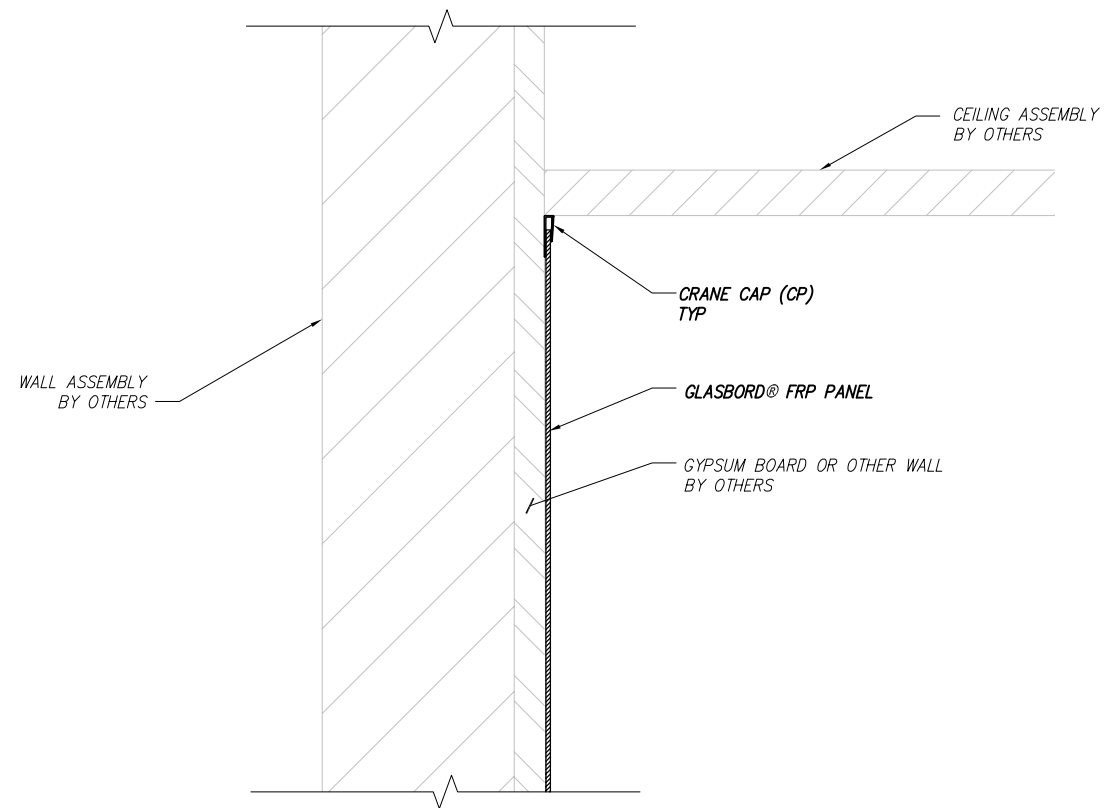
23526 W. EAMES STREET, CHANNAHAN, IL 60410
1.800.435.0080 1.800.467.8555 (FAX)
SALES@CRANECOMPOSITES.COM
CRANECOMPOSITES.COM

WE BELIEVE ALL INFORMATION IS ACCURATE. IT IS OFFERED IN GOOD FAITH, BUT WITHOUT GUARANTEE. SINCE CONDITIONS OF USE ARE BEYOND OUR CONTROL, ALL RISKS ARE ASSUMED BY THE USER. NOTHING HEREIN SHALL BE CONSTRUED AS A RECOMMENDATION FOR USES WHICH INFRINGE ON VALID PATENTS OR AS EXTENDING A LICENSE UNDER VALID PATENTS. SEE OUR MOST CURRENT SDS AT CRANECOMPOSITES.COM PRIOR TO WORKING WITH OUR PRODUCTS.

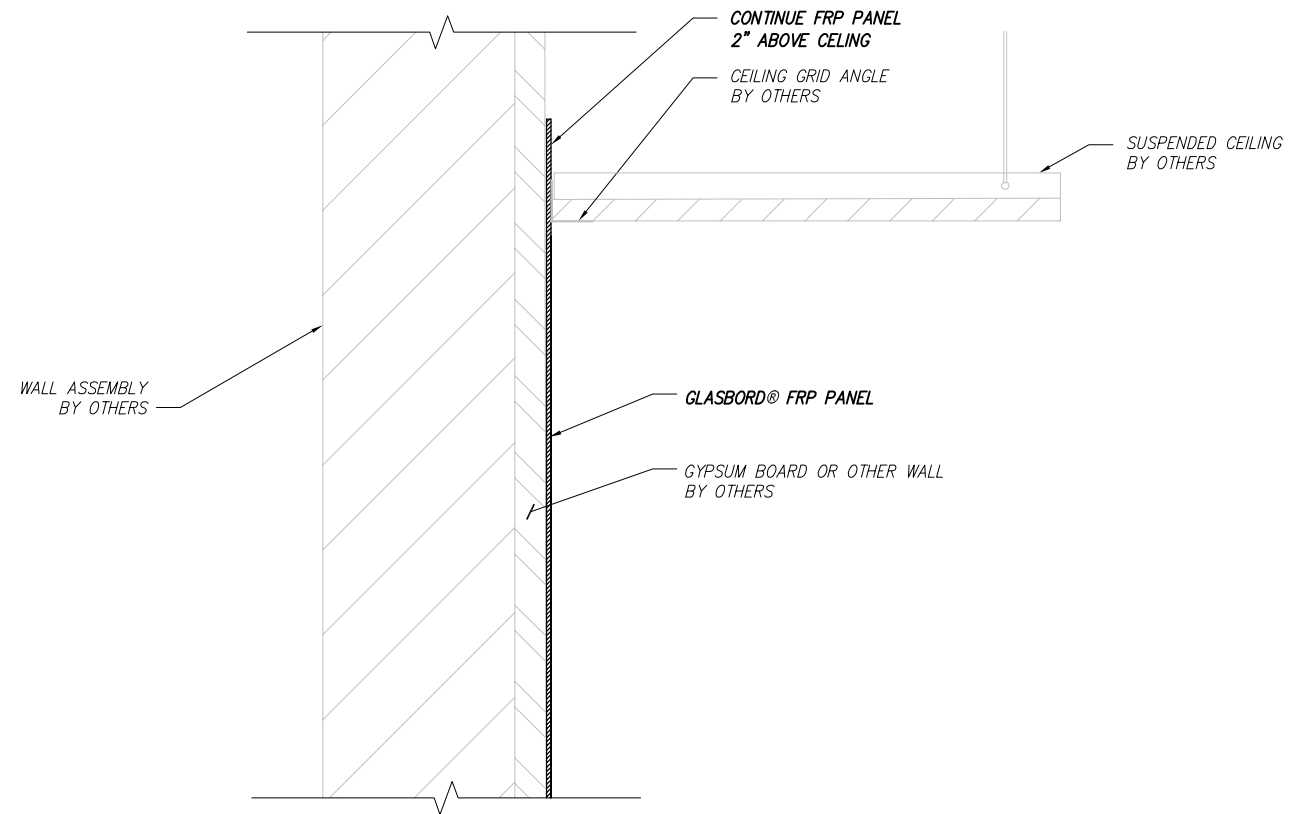
CRANE COMPOSITES GLASBORD® FRP DETAILS

THIS DRAWING IS CREATED ON A 11"x17" FORMAT

| NO. | DATE | REVISIONS | BY | CHK | APP'D |
|-----|----------|------------|----|-----|-------|
| 0 | 12/04/19 | ISSUE DATE | | PFS | |



1 CEILING RENOVATION DETAIL
 -- SCALE: NOT TO SCALE



2 SUSPENDED CEILING DETAIL
 -- SCALE: NOT TO SCALE

CEILING_DETAILS
 A-2

| | | | | | |
|-----|----------|------------|-----|-----|-------|
| | | | | | |
| | | | | | |
| | | | | | |
| | | | | | |
| 0 | 12/04/19 | ISSUE DATE | PFS | | |
| NO. | DATE | REVISIONS | BY | CHK | APP'D |

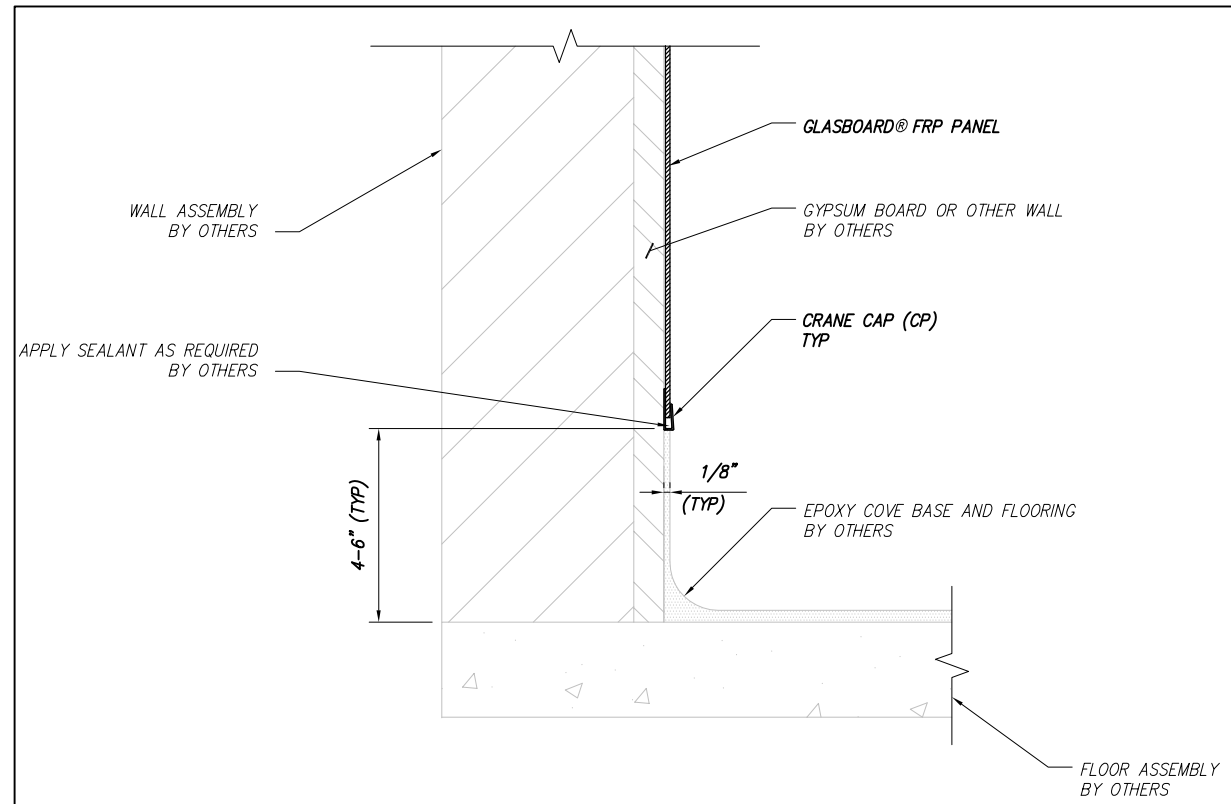
CRANE Composites
 23526 W. EAMES STREET, CHANNAHAN, IL 60410
 1.800.435.0080 1.800.467.8555 (FAX)
 SALES@CRANECOMPOSITES.COM
 CRANECOMPOSITES.COM

WE BELIEVE ALL INFORMATION IS ACCURATE. IT IS OFFERED IN GOOD FAITH, BUT WITHOUT GUARANTEE. SINCE CONDITIONS OF USE ARE BEYOND OUR CONTROL, ALL RISKS ARE ASSUMED BY THE USER. NOTHING HEREIN SHALL BE CONSTRUED AS A RECOMMENDATION FOR USES WHICH INFRINGE ON VALID PATENTS OR AS EXTENDING A LICENSE UNDER VALID PATENTS. SEE OUR MOST CURRENT SDS AT CRANECOMPOSITES.COM PRIOR TO WORKING WITH OUR PRODUCTS.

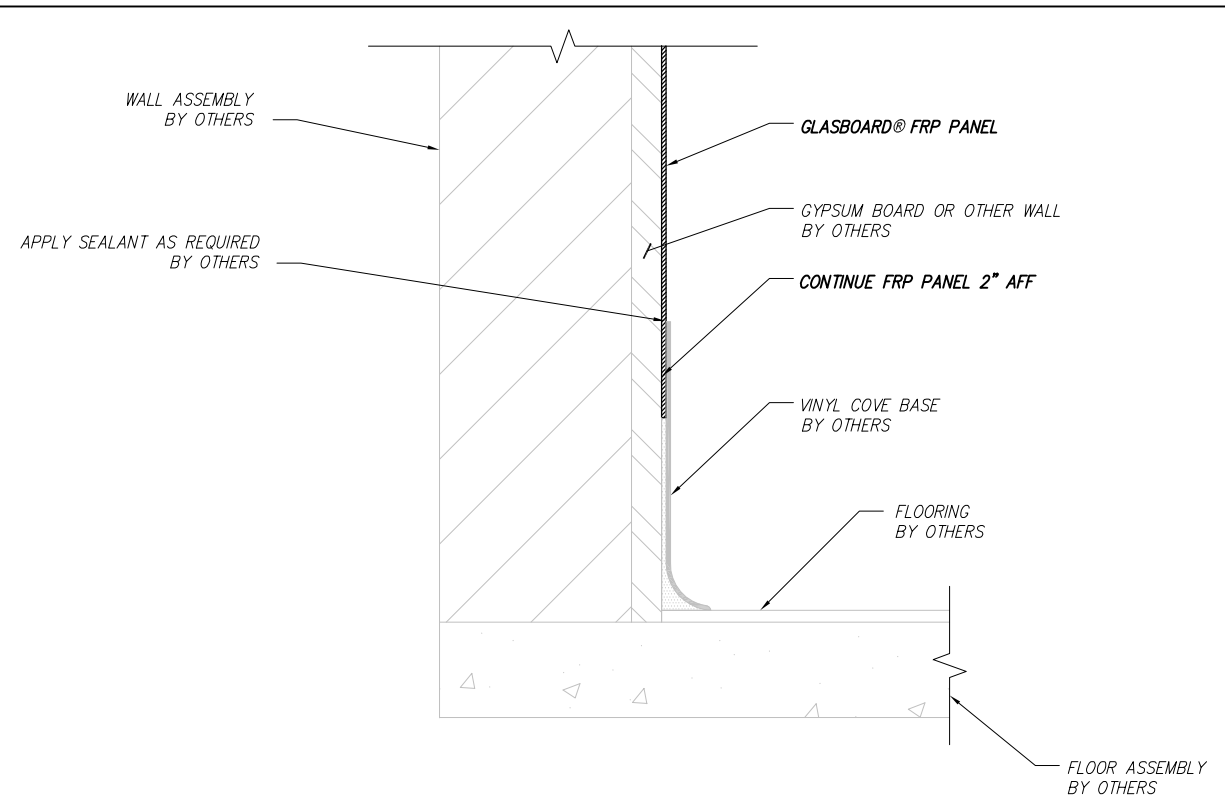
CRANE COMPOSITES GLASBORD® FRP DETAILS

THIS DRAWING IS CREATED ON A 11"x17" FORMAT

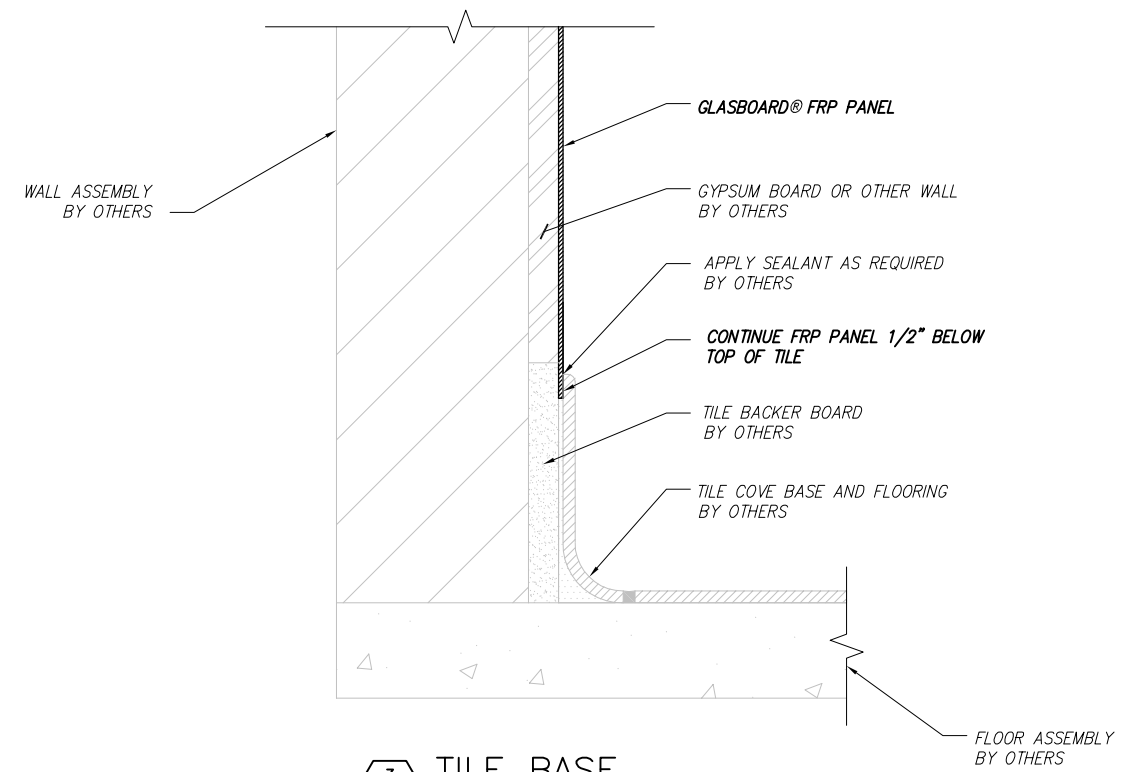
DRAWING BY: FIBERDESIGN LLC, WWW.FIBERDESIGN.COM



1 EPOXY COVE BASE
 -- SCALE: NOT TO SCALE



2 VINYL COVE BASE
 -- SCALE: NOT TO SCALE



3 TILE BASE
 -- SCALE: NOT TO SCALE

FLOOR/BASE
 A-3

| NO. | DATE | REVISIONS | BY | CHK | APP'D |
|-----|----------|------------|-----|-----|-------|
| 0 | 12/04/19 | ISSUE DATE | PFS | | |

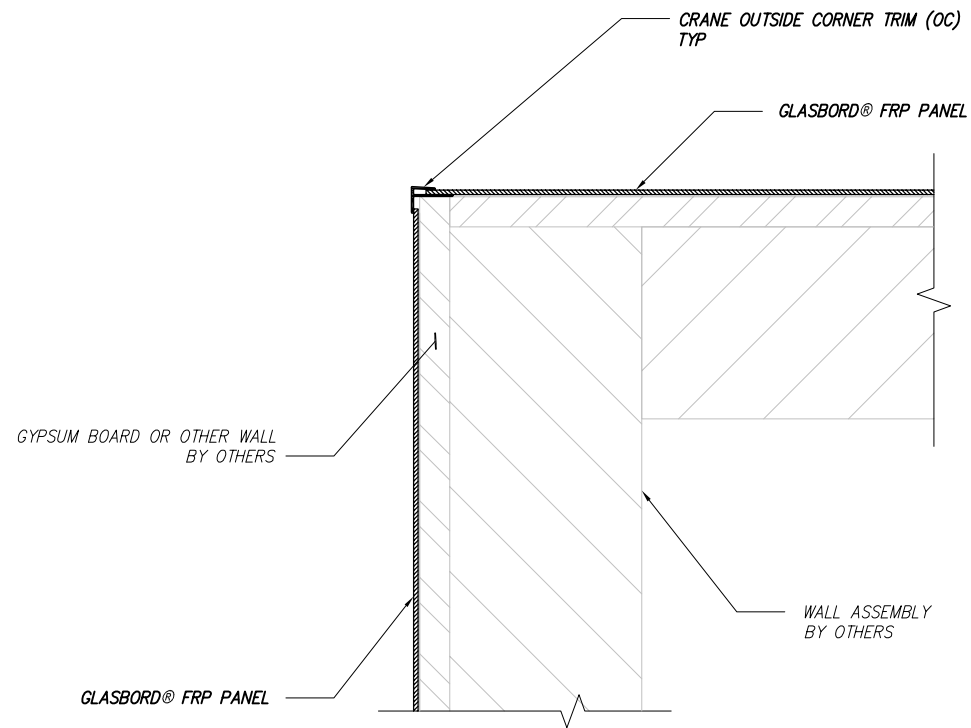
CRANE Composites
 23526 W. EAMES STREET, CHANNAHAN, IL 60410
 1.800.435.0080 1.300.467.8555 (FAX)
 SALES@CRANECOMPOSITES.COM
 CRANECOMPOSITES.COM

WE BELIEVE ALL INFORMATION IS ACCURATE. IT IS OFFERED IN GOOD FAITH, BUT WITHOUT GUARANTEE. SINCE CONDITIONS OF USE ARE BEYOND OUR CONTROL, ALL RISKS ARE ASSUMED BY THE USER. NOTHING HEREIN SHALL BE CONSTRUED AS A RECOMMENDATION FOR USES WHICH INFRINGE ON VALID PATENTS OR AS EXTENDING A LICENSE UNDER VALID PATENTS. SEE OUR MOST CURRENT SDS AT CRANECOMPOSITES.COM PRIOR TO WORKING WITH OUR PRODUCTS.

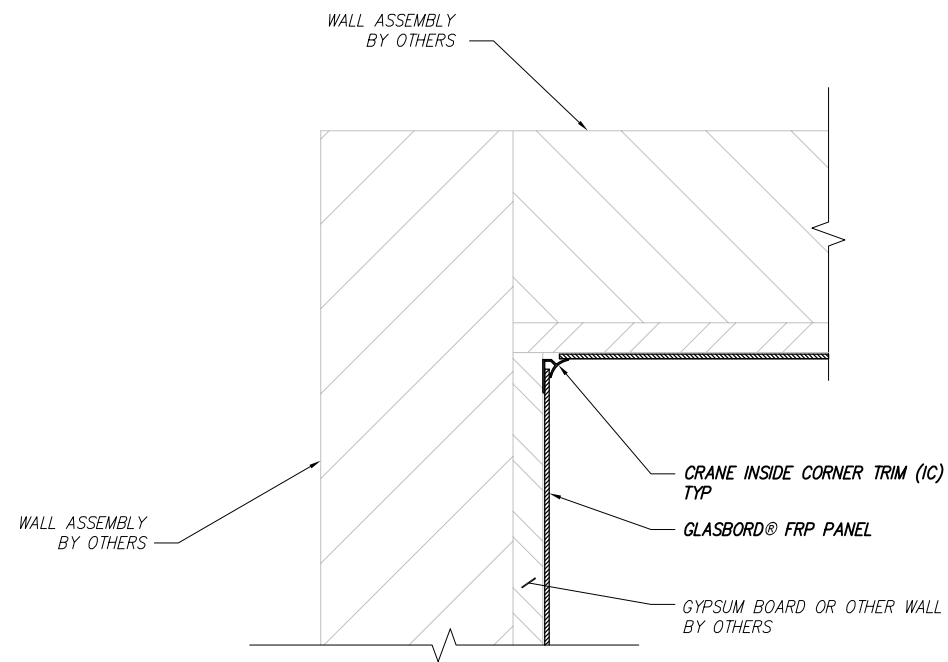
CRANE COMPOSITES GLASBORD® FRP DETAILS

THIS DRAWING IS CREATED ON A 11"x17" FORMAT

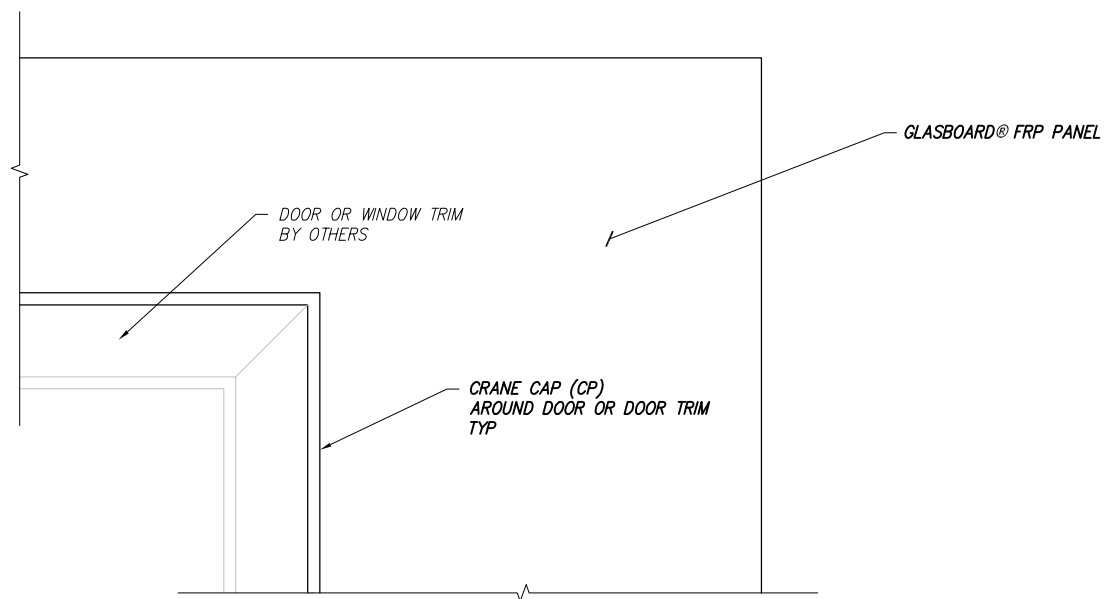
DRAWING BY: FIBERDESIGN LLC, WWW.FIBERDESIGN.COM



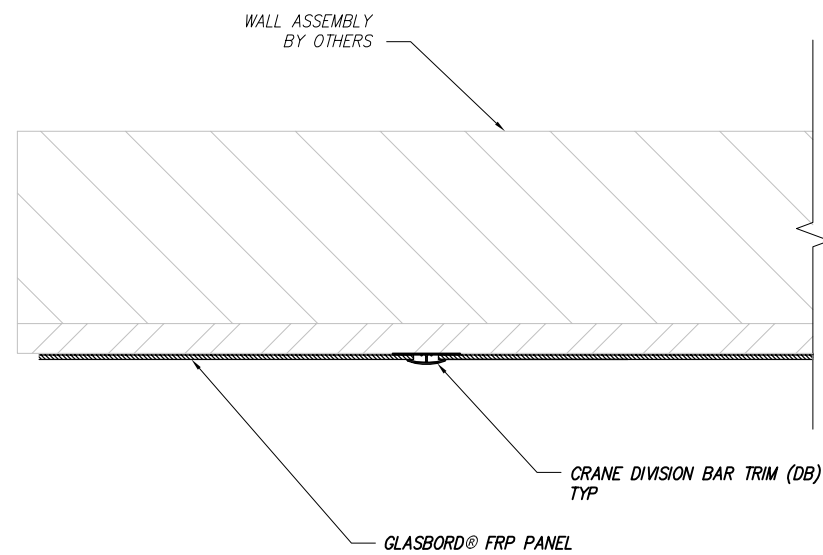
1 FRP PANEL OUTSIDE CORNER TRIM DETAIL
SCALE: NOT TO SCALE



2 FRP PANEL INSIDE CORNER TRIM DETAIL
SCALE: NOT TO SCALE



3 DOOR/WINDOW TRIM DETAIL
SCALE: NOT TO SCALE



4 VERTICAL SEAM TRIM DETAIL
SCALE: NOT TO SCALE

TRIM_DETAILS

A-4

| | | | | | |
|-----|----------|------------|-----|-----|-------|
| NO. | DATE | REVISIONS | BY | CHK | APP'D |
| 0 | 12/04/19 | ISSUE DATE | PFS | | |

CRANE Composites

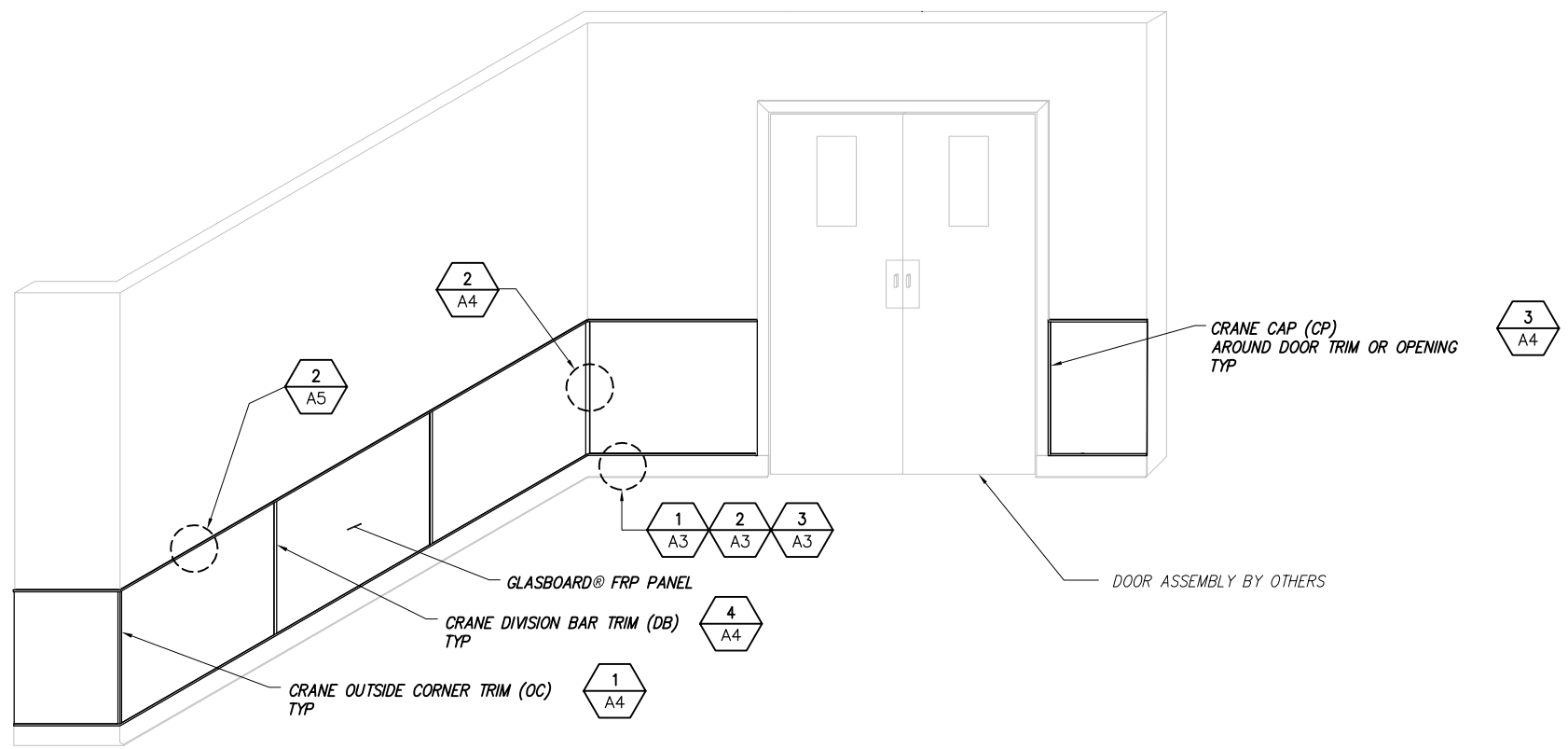
23526 W. EAMES STREET, CHANNAHAN, IL 60410
1.800.435.0080 1.800.467.8555 (FAX)
SALES@CRANECOMPOSITES.COM
CRANECOMPOSITES.COM

WE BELIEVE ALL INFORMATION IS ACCURATE. IT IS OFFERED IN GOOD FAITH, BUT WITHOUT GUARANTEE. SINCE CONDITIONS OF USE ARE BEYOND OUR CONTROL, ALL RISKS ARE ASSUMED BY THE USER. NOTHING HEREIN SHALL BE CONSTRUED AS A RECOMMENDATION FOR USES WHICH INFRINGE ON VALID PATENTS OR AS EXTENDING A LICENSE UNDER VALID PATENTS. SEE OUR MOST CURRENT SDS AT CRANECOMPOSITES.COM PRIOR TO WORKING WITH OUR PRODUCTS.

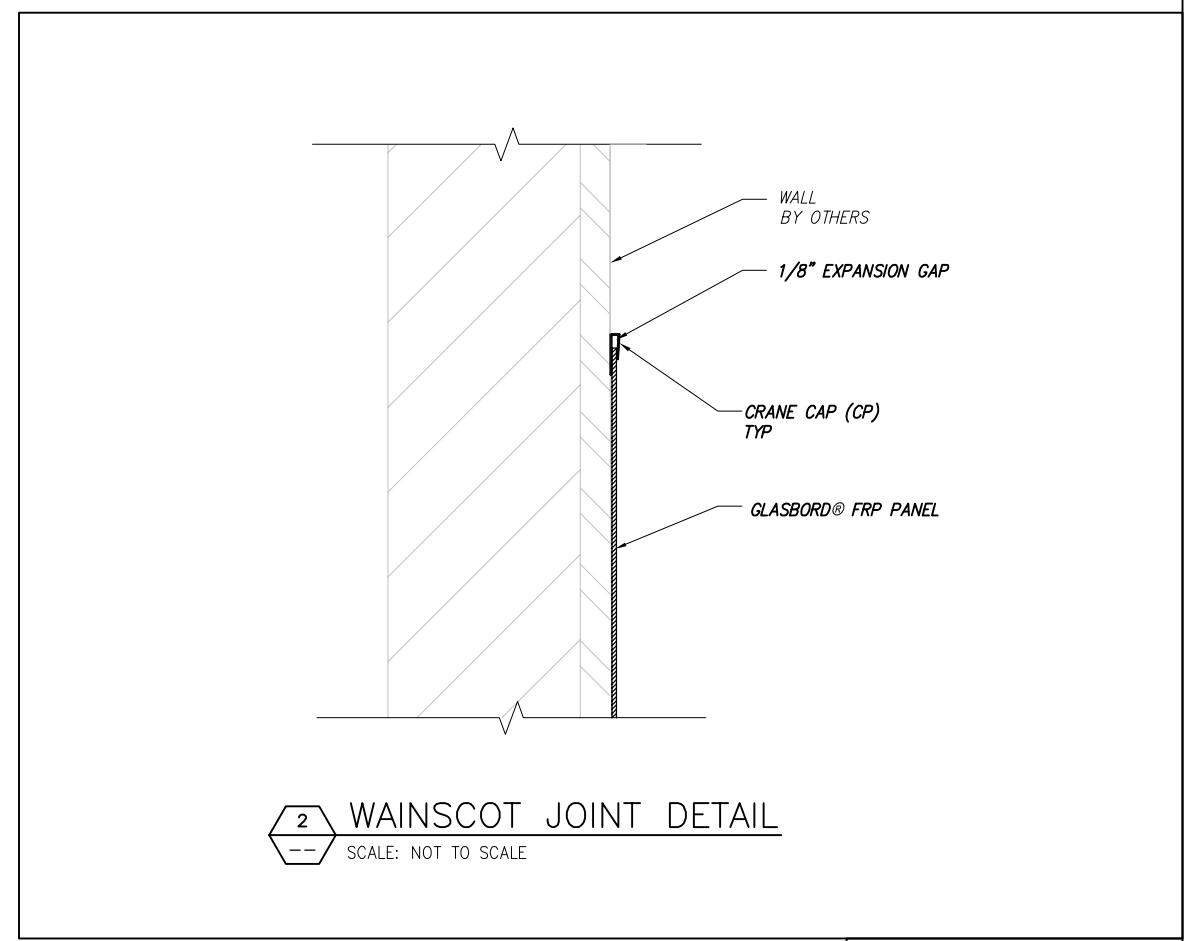
CRANE COMPOSITES GLASBORD® FRP DETAILS

THIS DRAWING IS CREATED ON A 11"x17" FORMAT

DRAWING BY FIBERDESIGN LLC. WWW.FIBERDESIGN.COM



1 WAINSCOT INSTALLATION
 -- SCALE: NOT TO SCALE



2 WAINSCOT JOINT DETAIL
 -- SCALE: NOT TO SCALE

TRIM_DETAILS
 A-5

| | | | | | |
|-----|----------|------------|----|-----|-------|
| NO. | DATE | REVISIONS | BY | CHK | APP'D |
| 0 | 12/04/19 | ISSUE DATE | | | PFS |

CRANE Composites
 23526 W. EAMES STREET, CHANNAHAN, IL 60410
 1.800.435.0080 1.800.467.8555 (FAX)
 SALES@CRANECOMPOSITES.COM
 CRANECOMPOSITES.COM

WE BELIEVE ALL INFORMATION IS ACCURATE. IT IS OFFERED IN GOOD FAITH, BUT WITHOUT GUARANTEE. SINCE CONDITIONS OF USE ARE BEYOND OUR CONTROL, ALL RISKS ARE ASSUMED BY THE USER. NOTHING HEREIN SHALL BE CONSTRUED AS A RECOMMENDATION FOR USES WHICH INFRINGE ON VALID PATENTS OR AS EXTENDING A LICENSE UNDER VALID PATENTS. SEE OUR MOST CURRENT SDS AT CRANECOMPOSITES.COM PRIOR TO WORKING WITH OUR PRODUCTS.

CRANE COMPOSITES GLASBORD® FRP DETAILS

THIS DRAWING IS CREATED ON A 11"x17" FORMAT

DRAWING BY FIBERDESIGN LLC: WWW.FIBERDESIGN.COM