

KEMLITE[®] moldings

PRODUCT CODE: M + V

ONE-PIECE + TWO-PIECE MOLDINGS + RIVETS

STANDARD ONE-PIECE POLYPROPYLENE MOLDINGS

PRODUCT

For professional looking panel installations, and maximum moisture sealing effectiveness, use Kemlite one-piece, non-staining, polypropylene moldings.

PURPOSE

For use with panel thicknesses 0.075" and 0.09". For 0.12" panels use the 2 piece moldings.

NOTE: Images are not drawn to scale and are depicted in inches

<p>DIVISION BAR DB</p>	<p>INSIDE CORNER IC</p>
<p>OUTSIDE CORNER OC</p>	<p>CAP CP</p>
<p>INSIDE ANGLE IA</p>	<p>OUTSIDE ANGLE OA</p>

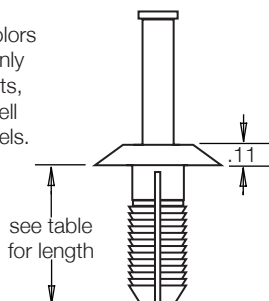
STANDARD NYLON DRIVE RIVETS

PRODUCT

Non-staining nylon drive rivets in matching panel colors are designed for quick and easy installation using only a hammer and drill. When used with silicone sealants, drive rivets maintain an effective moisture seal as well as providing excellent mechanical fastening for panels.

PURPOSE

See table for rivet size and corresponding panel thickness.



PANEL THICKNESS	RIVET LENGTH	AVAILABLE COLORS
0.09" to 0.125" 2.29mm to 3.18mm	0.75" 19.05mm	White, Cream, Beige, Silver
0.09" to 0.125" 2.29mm to 3.18mm	1" 25.40mm	White

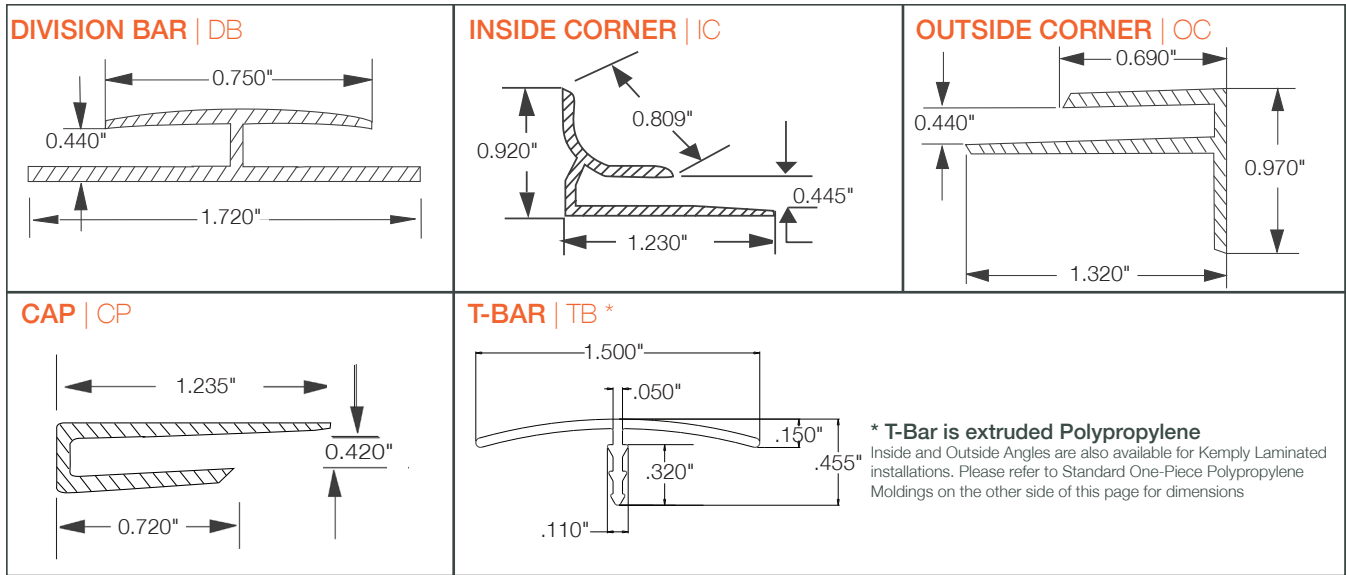
WIDE ONE-PIECE POLYPROPYLENE MOLDINGS FOR LAMINATED PANELS

PRODUCT

For professional looking panel installations, and maximum moisture sealing effectiveness, use Kemlite one-piece, non-staining, pvc moldings.

PURPOSE

For use with laminated panel thicknesses up to 0.437".



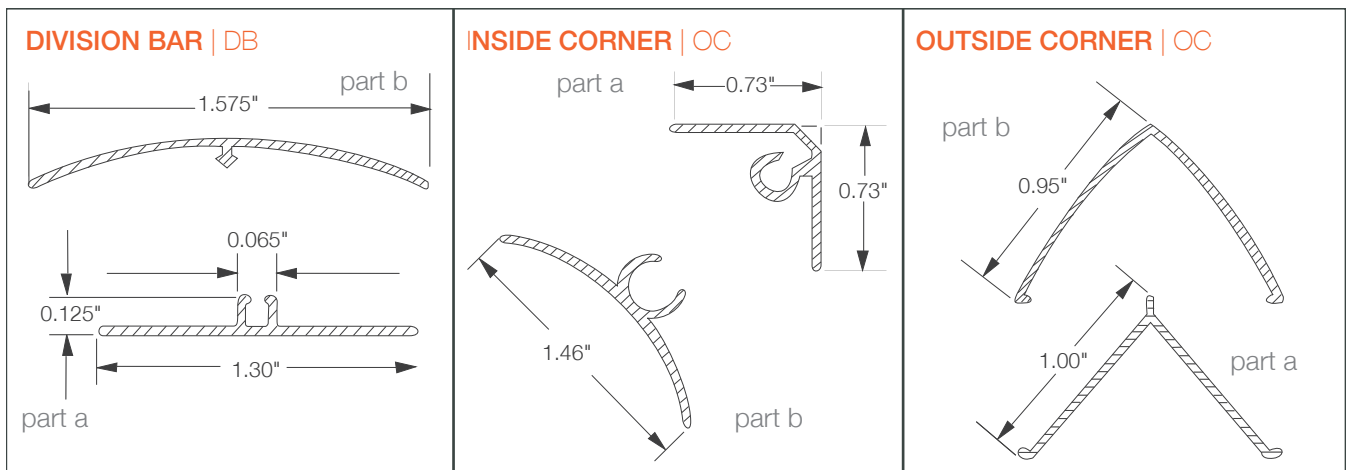
TWO-PIECE SURFACE MOUNT MOLDINGS FOR LAMINATED PANELS

PRODUCT

For professional looking and convenient installations, use two-piece snap-on trim, non-staining, pvc moldings. Available in white only. Use for all thicknesses.

PURPOSE

Improved installation time. Panel and molding can be installed in separate operations. Screws can be used to secure base and panel. Holes must be oversized.



A global leading provider of resilient wall and ceiling coverings. Kemlite® was established in 1954 and the company changed names to Crane Composites in 2007. Crane Composites is headquartered in Channahon, IL and all our products are manufactured in the United States. We work with hundreds of distributors, ensuring our products are easily accessible and readily available to our customers.

The following are trademarks of Crane Composites, Inc. or a related company: Glasbord, Kemlite, Kemply, Surfaseal, Sanigridd, Silhouette Trims and Varietex