



Innovative Finishes Trims and Silicone Sealant

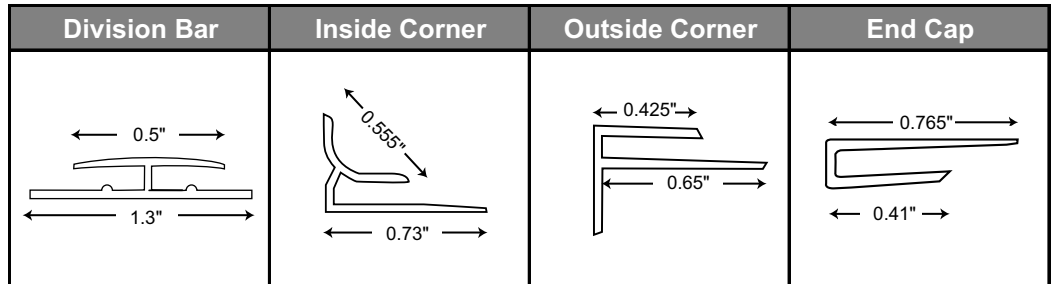
Silhouette Trims

Enhance the look of Innovative Finishes SANDSTONE & LINEN wall panel installations with attractive, contractor friendly Silhouette Trims which minimize the seam.

Pattern Matched Moldings

Enhance the look of Innovative Finishes DESIGNS wall panel installations with attractive, contractor friendly Pattern Matched Moldings which minimize the seam. Available to match pattern options below.

Silhouette Trims and Pattern Matched Moldings



Silhouette Trims Part Numbers | Only Available in 10' Lengths

Available Colors	Morning Mist Gray	DST.MMGDB10	DST.MMGIC10	DST.MMGOC10	DST.MMGCP10
	Fawn Brown	DST.FBDB10	DST.FBIC10	DST.FBOC10	DST.FBCP10
	Almond Breeze	DST.ABDB10	DST.ABIC10	DST.ABOC10	DST.ABCP10
	Cotton White	DST.CWDB10	DST.CWIC10	DST.CWOC10	DST.CWCP10
	Willow Green	DST.WGDB10	DST.WGIC10	DST.WGOC10	DST.WGCP10

Division Bar Inside Corner Outside Corner End Cap

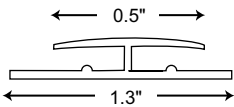
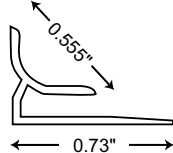
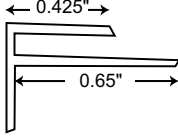
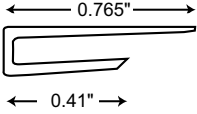
Pattern Matched Moldings Part Numbers | Only Available in 10' Lengths

Available Pattern Matched Moldings	Baton Rouge Bamboo	IDST.001BRBDB10	IDST.001BRBIC10	IDST.001BRBOC10	IDST.001BRBCP10
	Carolina Cherry	IDST.002CCDB10	IDST.002CCIC10	IDST.002CCOC10	IDST.002CCCP10
	Tennessee Timber	IDST.003TTDB10	IDST.003TTIC10	IDST.003TTOC10	IDST.003TTCP10
	Scattered Stone	IDST.004SSDB10	IDST.004SSIC10	IDST.004SSOC10	IDST.004SSCP10
	True Terrazzo	IDST.005TTDB10	IDST.005TTIC10	IDST.005TTOC10	IDST.005TTCP10
	Maui Marble	IDST.006MMDB10	IDST.006MMIC10	IDST.006MMOC10	IDST.006MMCP10
	Sculptured Stone	IDST.007SSDB10	IDST.007SSIC10	IDST.007SSOC10	IDST.007SSCP10
	Washington Wood	IDST.008WWDB10	IDST.008WWIC10	IDST.008WWOC10	IDST.008WWCP10
	Coastal Canvas	IDST.007CDB10	IDST.007CIC10	IDST.007COC10	IDST.007CCP10
	Corn Silk Canvas	IDST.008CDB10	IDST.008CIC10	IDST.008COC10	IDST.008CCP10
	Cactus Canvas	IDST.009CDB10	IDST.009CIC10	IDST.009COC10	IDST.009CCP10
	Camel Canvas	IDST.010CCDB10	IDST.010CCIC10	IDST.010CCOC10	IDST.010CCCP10
	Chrome Canvas	IDST.011CDB10	IDST.011CIC10	IDST.011COC10	IDST.011CCP10
	Colonial Canvas	IDST.012CDB10	IDST.012CIC10	IDST.012COC10	IDST.012CCP10
	Watered Weave	IDST.013WDB10	IDST.013WIC10	IDST.013WOC10	IDST.013WCP10
	Whipped Weave	IDST.014WDB10	IDST.014WIC10	IDST.014WOC10	IDST.014WCP10
	Willow Weave	IDST.015WDB10	IDST.015WIC10	IDST.015WOC10	IDST.015WCP10
	Washed Weave	IDST.016WDB10	IDST.016WIC10	IDST.016WOC10	IDST.016WCP10
Winter Weave	IDST.017WDB10	IDST.017WIC10	IDST.017WOC10	IDST.017WCP10	
Western Weave	IDST.018WDB10	IDST.018WIC10	IDST.018WOC10	IDST.018WCP10	

Beaded Panel Moldings

Product

Enhance the look of Innovative Finishes Beaded wall panel installations with an attractive, contractor friendly Beaded division bar. All other moldings are standard polypropylene moldings.

	Division Bar	Inside Corner	Outside Corner	End Cap
				
White	Beaded Panel Moldings Part Numbers Only Available in 10' Lengths			
	79139	79778	79137	79138

Standard Aluminum Trims

Product

Standard Aluminum Trims are designed to compliment Innovative Finishes DESIGNS wall panel installation. The Aluminum moldings provide a contrasting and upscale look.

	Aluminum Trims Part Numbers Only Available in 10' Lengths			
	Division Bar	Inside Corner	Outside Corner	End Cap
Aluminum	AL.DBSIL10	AL.ICSIL10	AL.OCSIL10	AL.CPSIL10

Silicone Sealant | White & Almond

White and almond silicone sealants are available to match the simulated grout lines of Innovative Finishes Tile-Look Gel Coat panels. Silicone caulk helps create a seamless installation.

White R50SEAL-WHT

Almond R50SEAL-BON

www.FRP.com | 1.800.435.0080 | 1.815.467.8666 (fax) | salesbp@cranecomposites.com

Crane Composites is the manufacturer of Glasbord, Sequentia, Sanigrid II and a variety of other fiberglass reinforced plastic (FRP) composite wall panels. Inspired by the Kemlite tradition, Crane Composites has over 55 years of experience in Commercial Building Products and is a recognized industry leader in FRP applications.

We believe all information given is accurate. It is offered in good faith, but without guarantee. Since conditions of use are beyond our control, all risks are assumed by the user. Nothing herein shall be construed as a recommendation for uses which infringe on valid patents or as extending a license under valid patents.

Form 6560 | Rev. 12 | 7.11 | (5829) Silhouette Trims is a registered trademark of Crane Composites, Inc.

