



SANIGRID® II Ceiling Grid System

Important Installation Notes

The main runner notches and cross tee lengths have been sized to provide a:

- 23³/₄" x 47³/₄" (603 mm x 1213 mm) or
 - 23³/₄" x 23³/₄" (603 mm x 603 mm)
- opening at the top of the grid.

As a result the main runners are 48" (1234 mm) on the center and the cross tees are 24¹/₄" (616 mm) on center. This will provide clearance for laminated, rigid, or gypsum ceiling panels, light fixtures or air diffusers. **This may affect ceiling lay-out.**

To accommodate the over-size dimensions of the Sanigrd II ceiling system, 23³/₄" x 48" (603 mm x 1219 mm) Glasbord® ceiling panels are available and recommended. These panels WILL NOT FIT standard metal grid systems so they should be ordered only for Sanigrd II installations.

The standard 23³/₄" x 23³/₄" (603 mm x 603 mm) panels will fit the 2' x 2' (0.6 m x 0.6 m) Sanigrd II system. See Sanigrd II Technical Data #6255 for laminated panel size specifications.

Before beginning installation, ensure that you have the correct cross tee to match your ceiling layout. Two different 2' (0.6 m) cross tees are available.

The SG222 is designed to mate with the 4' (1.2 m) cross tee. The SG223 is designed to mate with the 12' (3.7 m) main runner.

Limitations:

- Sanigrd II has not been tested for compliance with seismic ceiling grid requirements.
- Sanigrd will begin to discolor at temperatures over 130°F.
- Prolonged exposure to cooking smoke may result in imbedded stains that will be difficult to remove.

Caution:

- When cutting, drilling, or grinding fiberglass materials, protect eyes with goggles.
- Wear a filter mask to avoid breathing dust, and wear gloves to prevent splinters.
- A hacksaw is recommended for hand cutting ceiling system.

Sanigrd II Load Span Ratings (per ASTM C-635)		
Rating	Maximum for 2' x 4' (0.6m x 1.2m)	Hanger Wire Spacing
Light Duty	20lbs	4ft/oc (1.2m/oc)
Intermediate Duty	40lbs	2ft/oc (1.6m/oc)
Heavy Duty	60lbs	1ft/oc (0.3m/oc)

SANIGRID II Part Numbers

A | Wall Anchor Cross Tee #C-20

Wall anchors are available to secure the main runner and cross tees to the wall angle. Also available is industrial double-faced tape that can be used in lieu of screws to attach the wall anchor.

B | Main Tee Splice #C-21

The Main Tee Splice is used to securely join two main runners.

C | Ceiling Panel Hold Down Clip

#C-24 for panels 3/32" (2.4mm) - 9/32" (7.1mm)

#C-25 for panels 9/32" (7.1mm) - 1/2" (12.7mm)

Hold down clips are intended only to hold ceiling panels in position. They will not prevent panel warping under severe environmental conditions.

D | Rivet

#R52503 3/4" (19mm) #R52501 1" (25.4mm)

#R52502 1 1/2" (38mm) #R52507 2" (50.8mm)

Not included with standard installation kit, must be purchased separately.

E | Wall Angle #SG203

1" x 1" (25.4 mm x 25.4 mm) wall angles come cut in standard 12' (3.7 m) lengths to fasten directly to the wall.

F | Main Runner #SG201

Main runners come in 12' 1 1/2" (3.7 m) lengths.

Notches for cross tee attachments and hanger wires are 6-1/16" (154 mm) on center.

G | Cross Tee

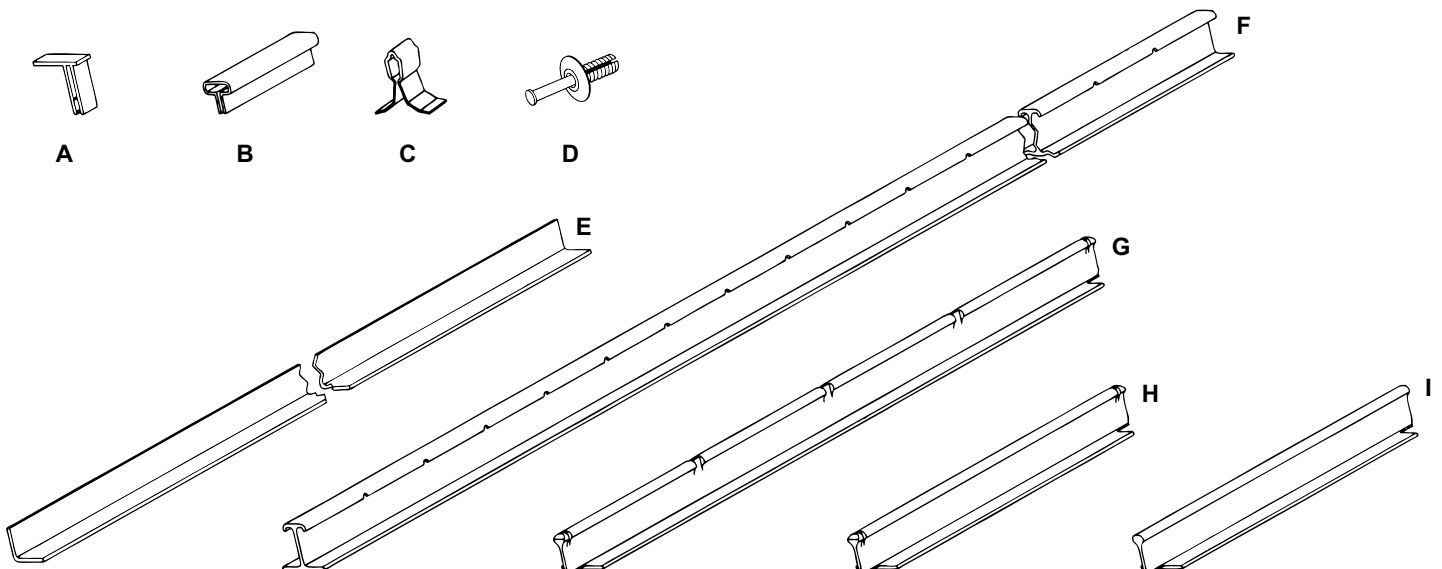
#SG202 - 48 1/2" (1232 mm) pre-notched to snap into the main runners.

H | Cross Tee

#SG223 - 24 1/2" (622 mm) to mate with the main runners.

I | Cross Tee

#SG222 - 24 3/8" (613 mm) pre-notched to snap into the main runners.

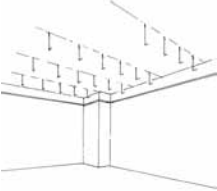


SANIGRID® II Step by Step Installation Instructions



STEP 1

Install Sanigrad wall angle at desired height around perimeter of room in the usual manner. Use non-corrosive fasteners appropriate for wall material. Pre-drill appropriate size hole for fastener.



STEP 2

Install hanger eyes and wire at appropriate spacing per chart. Use galvanized anchors and 12 ga. galvanized, monel, or stainless steel wire. (Use corrosion-resistant materials suitable for the intended environment).



STEP 3

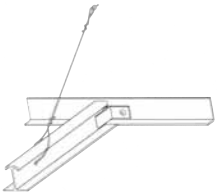
Secure main runners to hanger wires and make leveling adjustments. Where main tees butt, secure with connector clip. Additional holes may be drilled in main tees as required for proper alignment with hanger wires. Space holes no closer than 4" (102 mm) from end of tee or another hole.

IMPORTANT: Light fixtures must be installed to hang independently of the grid system.



STEP 4

Where the main runner meets the wall angle, cut away the face of the runner so that the vertical web will rest on the wall angle. Scoring the runner on both sides of the vertical and horizontal web will assist in providing a clean break.



STEP 5

Install a wall anchor clip and a diagonal hanger wire. This will prevent shifting and misalignment of the main runners.



STEP 6

Install cross tees by positioning tee at the cross tee notch on the main tee. Both ends must be positioned at the same time. Then simply twist the cross tee into position. At the cross tee wall angle junction, cut away the face and install wall anchor as was done for the main runners.



STEP 7

Install lay-in ceiling panels in the usual manner.



STEP 8

Install two hold down clips along the cross tees only. Hold down clips are intended only to hold panels in position. They will not prevent warping under severe conditions.

www.FRP.com | 1.800.435.0080 | 1.815.467.8666 (fax) | salesbp@cranecomposites.com

Crane Composites is the manufacturer of Glasbord, Sequentia, Sanigrad II and a variety of other fiberglass reinforced plastic (FRP) composite wall panels. Inspired by the Kemlite tradition, Crane Composites has over 55 years of experience in Commercial Building Products and is a recognized industry leader in FRP applications.



CRANE

Composites

A Crane Co. Company

We believe all information given is accurate. It is offered in good faith, but without guarantee. Since conditions of use are beyond our control, all risks are assumed by the user. Nothing herein shall be construed as a recommendation for uses which infringe on valid patents or as extending a license under valid patents.